

## Sink Circolari Gun Metal

Kitchen Sinks

Code: 1130 866



### DETAILS

Edge/Installation Type Undermount

---

Material AISI 304 stainless steel

---

Texture Foster brushed

---

Finish PVD

---

Coloring Gun Metal

---

Base 45 cm

---

Dimensions ø 425

---

Bowl dimension ø 380mm

---

Number of bowls 1 bowl

---

Built-in hole

ø 380

Mixer holes

No standard holes

Drainer

No

Standard fittings

Fixing hooks, gasket, drain, overflow and siphon, boxed packing

Notes:

Foster brushed sink with highly effective concentric polishing

## FEATURES

Added value

Foster uses steel thicknesses higher than those used on average by other manufacturers. This is how, thanks to our long experience, we know how to make sinks of superior quality and with a better resistance to aging.

Basket 3,5" waste fitting

The drain is equipped with a large 3.5" drain, with the practical basket cap that prevents the discharge of solid parts.

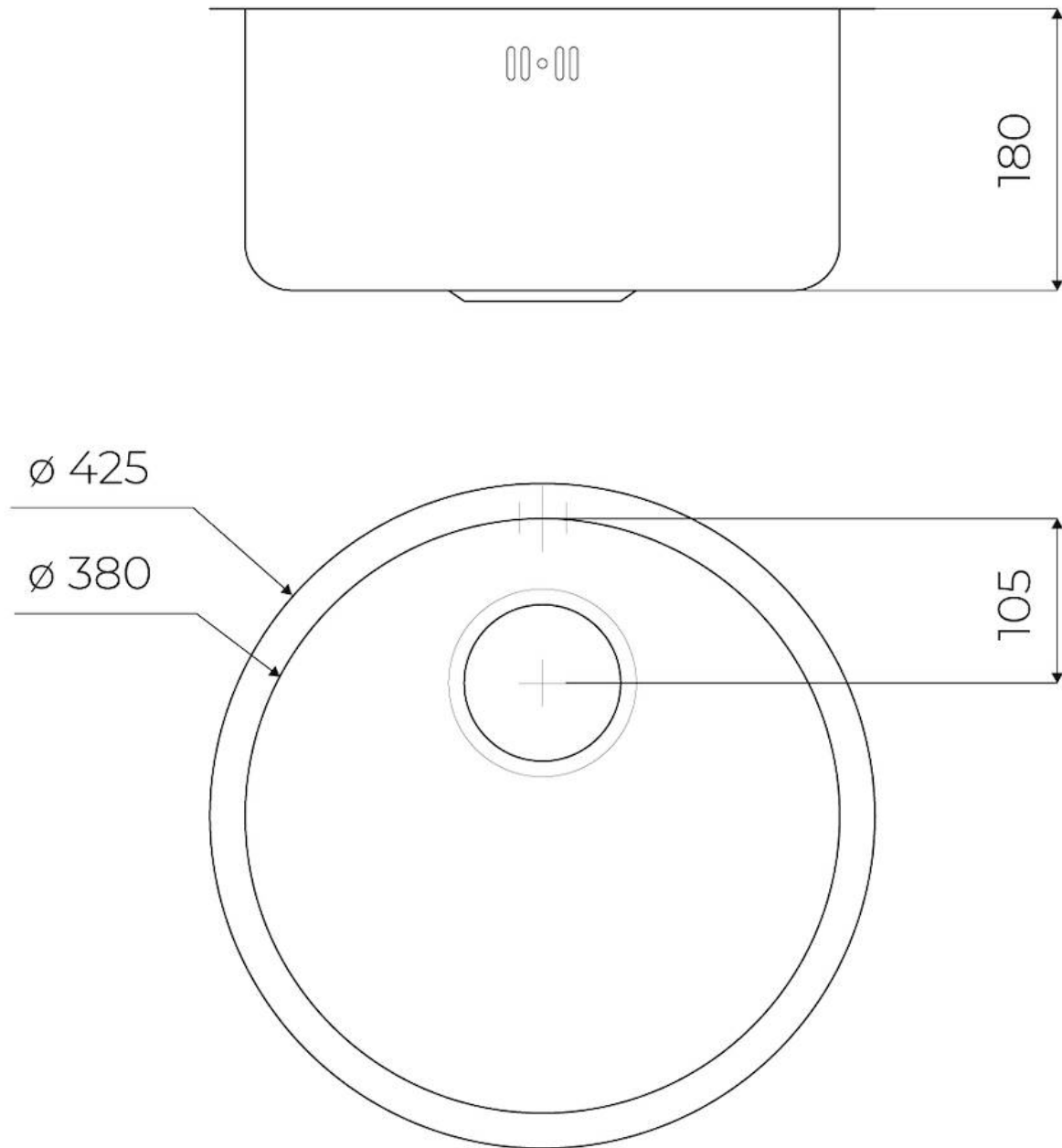
Gun Metal

The Gun Metal finish is obtained by treating steel with a physical process called PVD (Physical Vacuum Deposition) which deposits particles of noble metals on the surface. The result is a unique and refined aesthetic effect, and an improvement of the mechanical properties of the steel which is more resistant to impact and scratches.

High thickness

1mm thick steel. A significant thickness, which guarantees the maximum sturdiness and durability.

## TECHNICAL DATA



## GALLERY



## OPTIONAL ACCESSORIES



**Iroko-wood chopping board**  
8648 002

## RECOMMENDED PAIRINGS



**Mixer Tap Omega Plus Gun Metal**  
8498 856

## OPTIONAL AUTOMATIC WASTE FITTINGS



**Space Push Gun Metal automatic  
waste fitting - PO**

8407 120